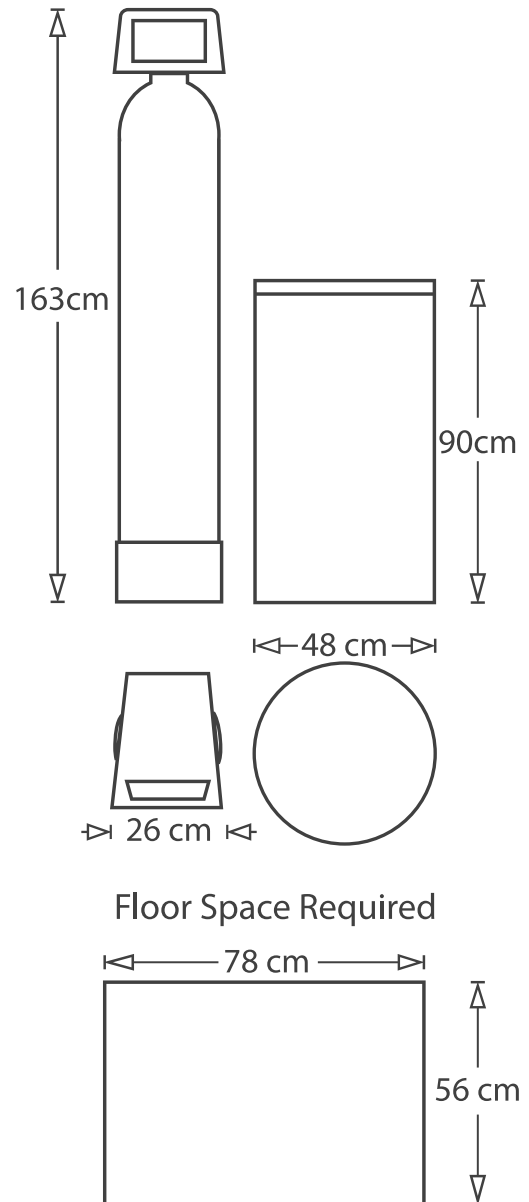


PWS Resolve Unit



Information

This unit removes iron and manganese to a combined level of 10 milligrams per litre
 This unit also removes Lime and maintains a pH of 7

What You Get

- 1 off Resolve Valve
- 1 off 10x54" Fibreglass Vessel
- 1 off 38L CR100/200
- 1 off 100L Salt Container
- 1 off Self Chlorinating Fitting to sterilise the filter bed

Important

This unit is recommended for your water at the time of testing, if the bacterial content of your water changes over time it may be necessary to upgrade or invest in a new unit.