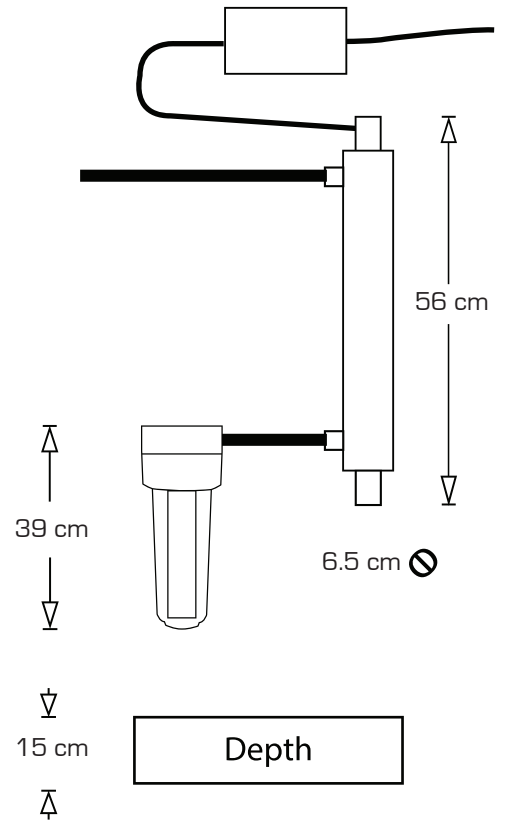
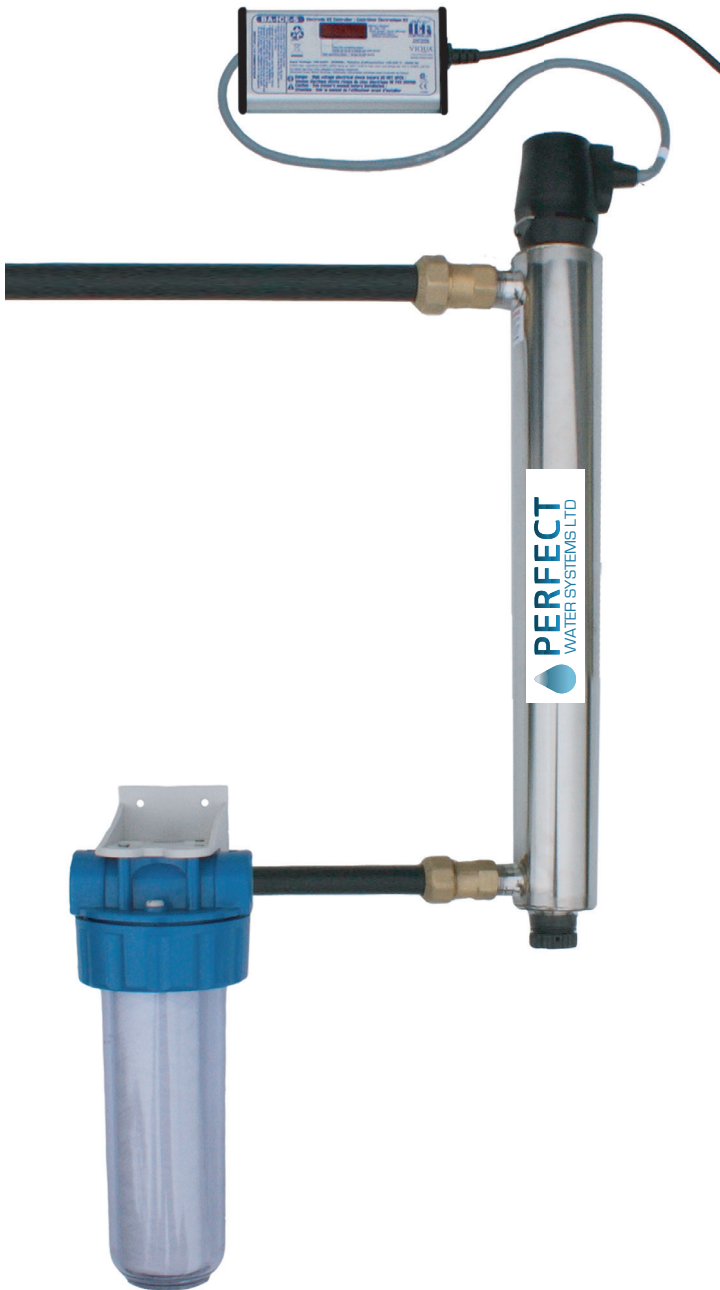
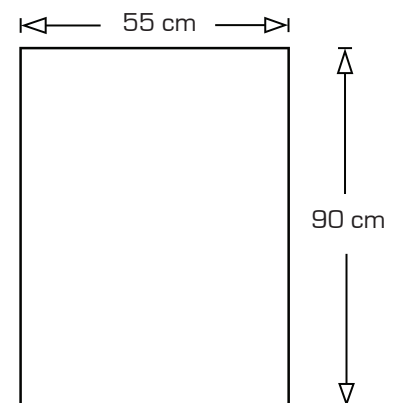


## Ultra Violet Unit - 5 gal p/m



### Wall Space Required



### Information

This unit is used to treat all types of bacteria in your water supply.

### What You Get

- 1 off PWS UV Bulb
- 1 off PWS UV Housing
- 1 off 10" Prefiler Housing
- 1 off 5 Micron Cartridge
- 1 off UV Ballast

### Important

This unit is recommended for your water at the time of testing, if the bacterial content of your water changes over time it may be necessary to upgrade or invest in a new unit.