

premier

PLUS

Water Softener **Installation and User Manual**

PREMIER PLUS



For more information about Kinetico
visit **www.kinetico.co.uk**

Contents

Safety information	4
Contents of box	6
Specifications	6
How to set the XP	7
Getting to know the softener	9
Pre-installation check list	10
Installation instructions	12
Review	14
Commissioning instructions	15
Useful information	16

Safety information

Read all information carefully prior to installing and using the water softener.

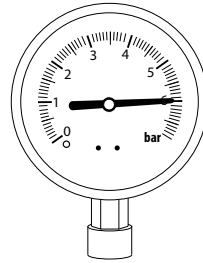
Qualified Installer



INSTALLER

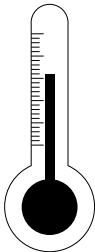
Kinetico recommends that a qualified installer performs the installation. Failure to install the system as instructed could invalidate the Limited Warranty.

Water Pressure



Do not install if the supply water pressure exceeds 6 BAR (87 psi), unless a suitable pressure regulating valve has been installed on the softener water supply.

Water Temperature



Do not install the Kinetico softener in an area where the water temperature can exceed 49°C or cause the unit to freeze. Freezing temperatures will damage the system.

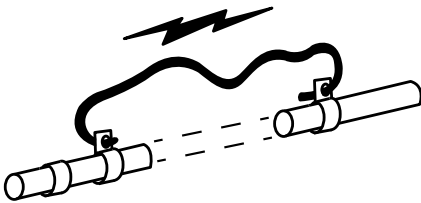
Overflow

VERY IMPORTANT:

Where a cabinet overflow could cause damage, you must install a 1/2" I.D. hose to the barbed fitting on the cabinet and run to a suitable outlet that is visible and capable of taking the overflow (i.e. through the outside wall).

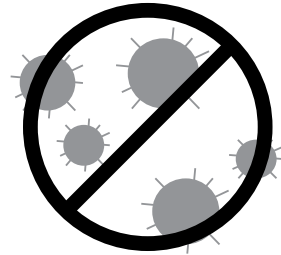
Make sure the hose does not go higher than the barbed fitting as the water will flow away using gravity.

Copper/Plastic Pipework



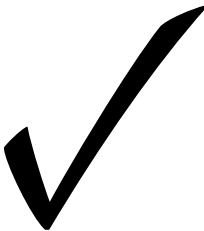
Where copper/plastic pipework is used, Kinetico advises adherence to the regulatory requirements to ensure adequate earth bonding is provided.

Intended Use



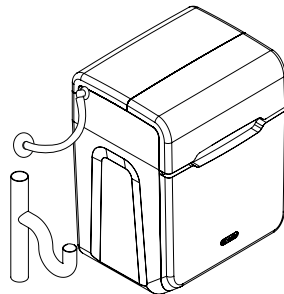
Not intended to be used for treating water that is micro-biologically unsafe or water that has an unknown quality, without adequate disinfection before or after the system.

Conform to Regulations



You must ensure that the installation conforms to local plumbing codes and regulations.

Plumbing Schematic



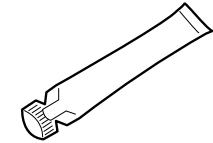
Please refer to the plumbing schematic on page 10 before commencing an installation.

Contents of box

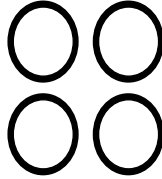
Identify the following parts before proceeding.



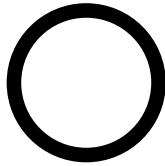
1 x in/out retaining bracket and pin



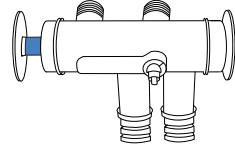
1 x 2cc silicone tube



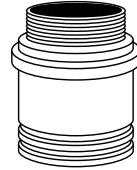
4 x o-ring



2 x 3/4" washers



By-pass valve
(Optional Extra)



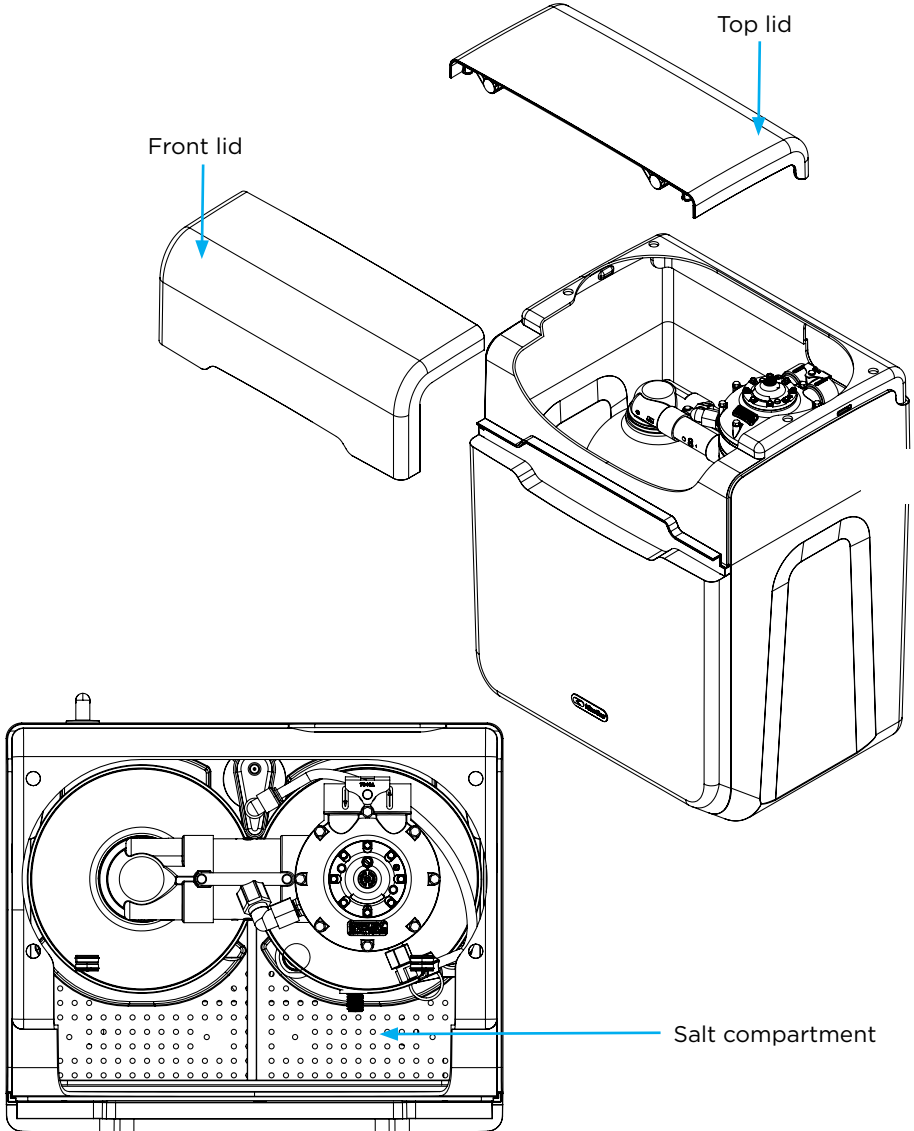
2 x 3/4" BSP in/out adaptor

Specifications

Meter Disc	A	B	C	D	E	F	G	H	I	*	J	*	K	*	L	*	M	*
Max hardness PPM	207	221	238	256	279	305	337	376	426	456	490	531	578	635	686	770	878	1020
Litres between regenerations	1583	1480	1377	1274	1171	1068	965	862	759	708	656	605	553	502	450	399	347	224

Cabinet dimensions (h x w x d)	645 x 480 x 396 mm
Salt used per regeneration	0.56 kg
Regeneration time	11 minutes
Flow rate @ 1 bar pressure drop	22.7 l/min
Pipe connections - in/out	3/4" BSP
Min/max operating pressure	1.8 - 6 bar
Min/max operating temperature	2 - 49°C

Getting to know the softener

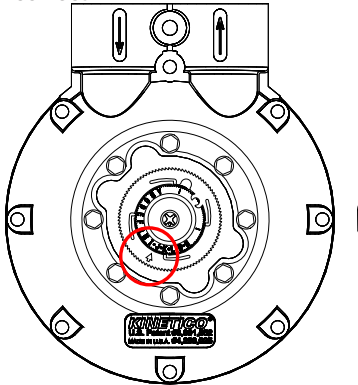


How to set the XP

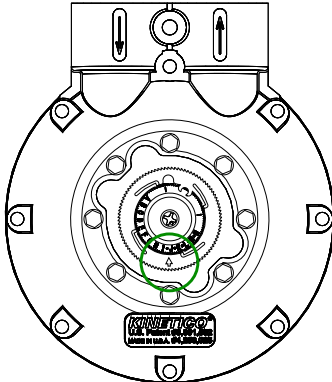
1 Calibrate for the incoming hardness:

Ensure the XP meter is reset. This is identified by the XP Arrow sitting at the 6 o'clock position. If it is not, with a cross headed screwdriver, push down on the center of the cap and keep turning until the arrow returns to the correct position

Incorrect



Correct

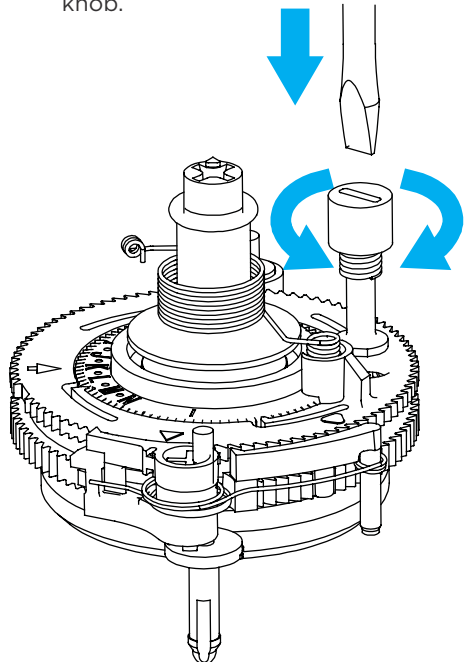


2 Select the setting using the chart:

Determine the correct XP setting from the chart on Page 4. Find your hardness level on the second row, the relevant Setting is on the top row.

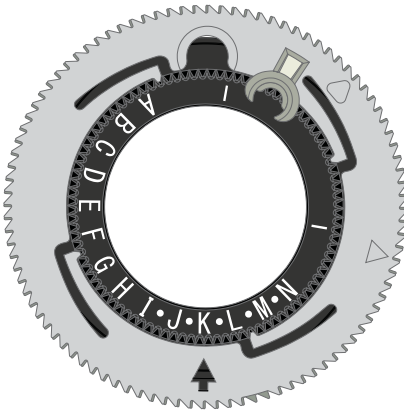
3 Set the XP meter:

Adjust the XP meter setting by using a 3/16" or smaller flat-head screwdriver to push down and rotate the hardness adjustment knob.



4 Confirm the setting:

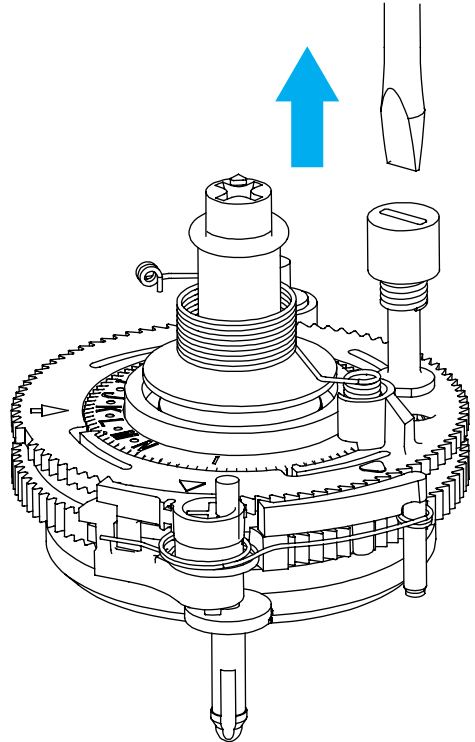
Set the arrow to the desired position. The arrow points to the centre of the box for whole figure settings. For 1/2" settings, the arrow points to the line between boxes.



Set to K in this example

5 Release the XP adjuster:

Release adjuster, making sure knob returns to an up position.

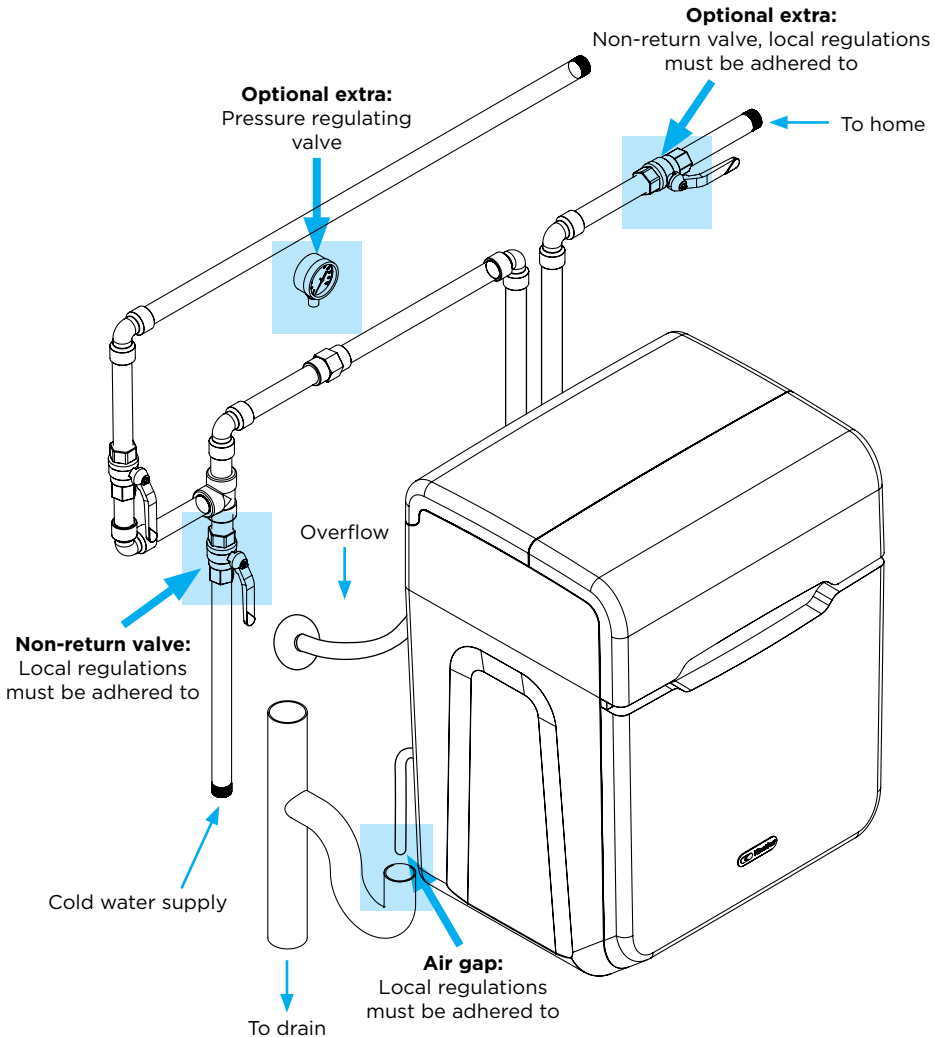


6 Notes:

NEVER set XP with the arrow aligned anywhere in the black section of the meter disc. The softener will not meter properly.

Pre-installation check list

When determining the location of the softener, the following should be considered:

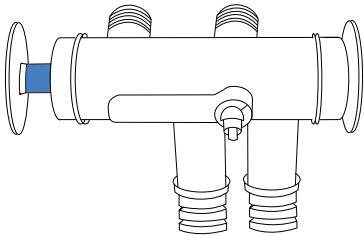


Installation will vary but should consist of:

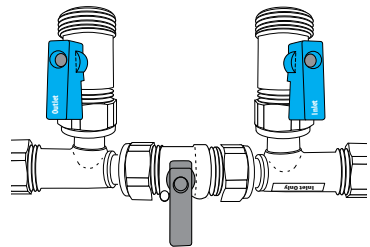
- a:** A pressure regulating valve on the water supply to the softener where the incoming pressure exceeds 6 bar.
- b:** A non-return valve on the mains water supply to the softener.
- c:** A by-pass assembly which enables the softener to be isolated from the water supply for maintenance and service. This also maintains the water supply when the system is disconnected.
- d:** A drain line from the softener to a waste pipe through an appropriate air gap. The drain must comply with local plumbing codes.
- e:** An overflow run to a suitable outlet that is visible.

Ensure you have the following:

- a:** Kinetico blending by-pass valve plus a single check valve.



- Or, a means of constructing a by-pass which consists of:
3 valves, Tee pieces, Single check valve

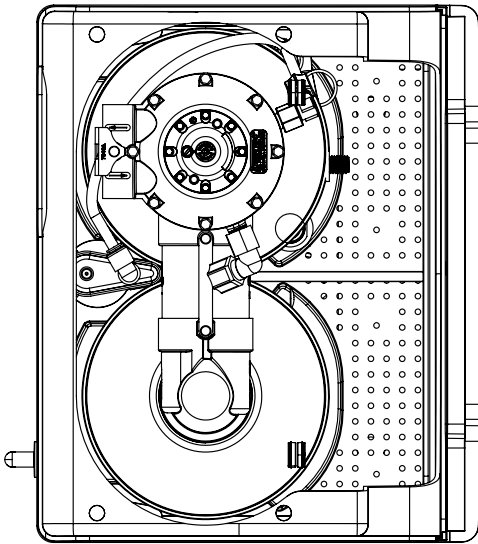


- b:** Connections for the inlet and outlet, either by means of flexible pressure rated hoses or by direct pipework. Connections on the softener and the Kinetico blending by-pass valve are 3/4" BSP male threaded fittings.
- c:** 1/2" ID hose for both the overflow and the drain.

Installation instructions

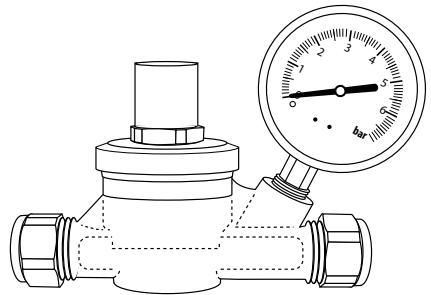
1 Locate:

- a: Ensure the unit can be positioned on a flat surface.
- b: If sand, silt or turbidity are present in the water supply, a pre-filter should be installed before the water softener.



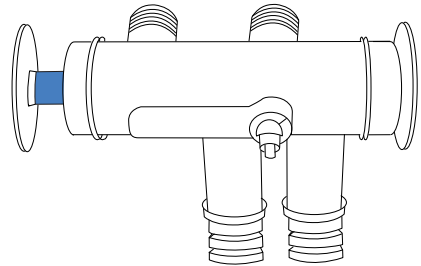
2 Test water pressure:

Test incoming pressure to the unit. **A pressure regulating valve will be required if the pressure is above 6 bar.**



3 Install:

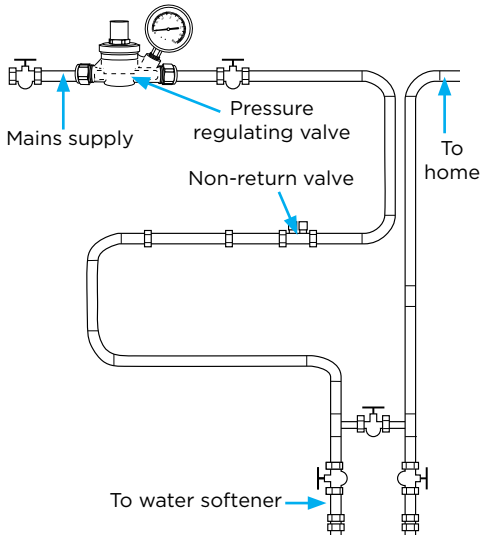
Plumb pipework as necessary to accommodate a by-pass assembly.



Caution: Do not solder any fittings while connected to the unit adaptors.

Care should be taken during the installation process to ensure solder and flux do not come in contact with any of the components.

Or, establish a by-pass installation based on the following diagram.



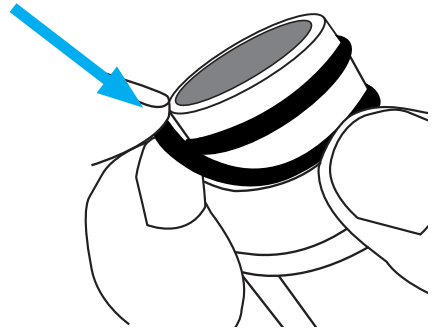
4 Flush:

After plumbing is complete, but before connecting to water softener, flush both inlet and outlet lines and allow water to rinse out any debris.

5 Fit inlet/outlet connection:

When using the Kinetico blending by-pass valve, consult separate installation instructions. Please note, the orientation of the valve will determine which connection is used as the inlet. Or, follow the process below:

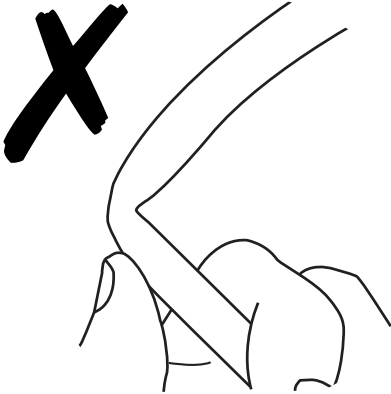
- a: Fit 2 o-rings to each in/out adaptor then lubricate with the supplied silicone grease.



- b: Connect inlet/outlet adapters to supply and return hoses remember to use the washers.
- c: Install adapters into control valve in/out ports, ensuring that they are fitted into the correct ports (see flow arrows on valve for reference).
- d: Attach the retaining bracket and pin to the control valve.

6 Run drain line:

- a:** Run a drain line to a discharge point, checking for any obstructions or possible kinks.
FOLLOW LOCAL PLUMBING CODES.



- b:** Push the drain line onto the barbed fitting and tighten the jubilee clip securely.

Please note:

Drain lines must not run more than 2.4m up or exceed a total of 9m. The drain line must not be restricted or kinked.

Review

1 Pressure:

If a pressure regulating valve has been fitted, ensure it has been correctly set to 6 bar maximum.

2 Drain line:

Ensure the drain line is securely attached, has no restrictions or kinks, uses an airgap and is fully compliant.

3 Overflow:

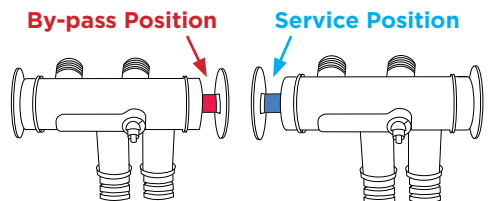
Ensure the overflow has no kinks, is securely attached and that water is able to fall away with gravity.

4 Inlet/Outlet connections:

Ensure the hoses/plumbing are attached securely, using the washers provided, and are firmly held in place using the retaining bracket and pin.

5 By-pass assembly:

Ensure the assembly is in the "by-pass" position.



Commissioning instructions

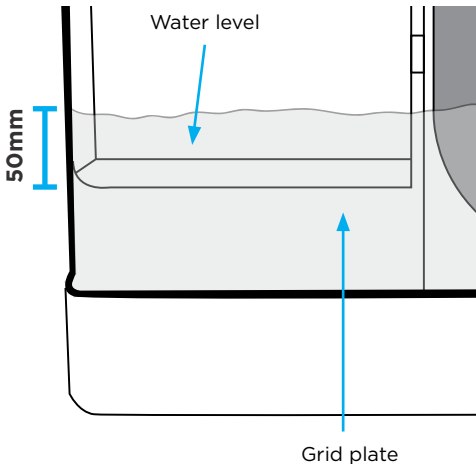
1 Pressurise:

With the water to the property restored, slowly move the assembly to the “in service” position. Water may run to drain until the unit is fully pressurised.

2 Fill the brine tank with water:

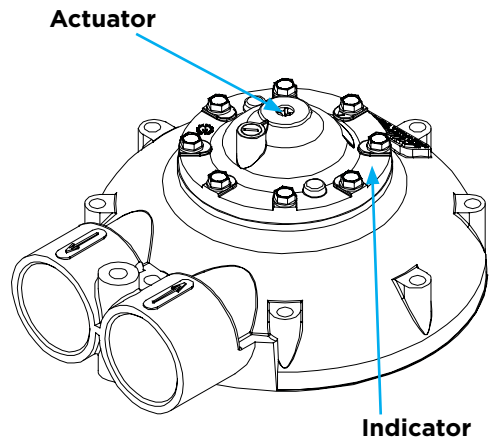
Allow the brine tank to fill with water until the brine valve shuts off.

The water level should be approximately 50mm over the grid plate.



3 Initiate a backwash:

- a:** Using a Phillips head screwdriver push down on the actuator, and slowly turn CLOCKWISE until the indicator dot reaches the letters BW on the clear cap.
- b:** You will hear a rush of water and air going to the drain.
- c:** When the cycle has finished (approx 4 mins), repeat the procedure, turn the indicator dot to the next backwash cycle and allow to finish (approx 4 mins).



4 Add salt:

For convenience, the water softener has been designed to accommodate tablet/pellet salt. Simply pour into the salt compartment.

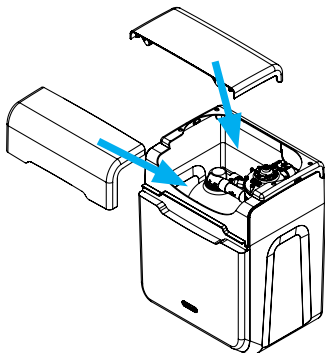
IMPORTANT:

Only use salt manufactured for use in water softeners. Do not load salt behind the water softener tanks.

Do not use rock or granular salt in your system. They contain impurities that can interfere with performance and could invalidate the Limited Warranty.

5 Fit the lid:

Replace the lids and check plumbing for any leaks. The installation is now complete.



Useful information

1 How do I correct the water level if it sits higher than the recommended 50mm above the salt grid?

Check that the brine valve is seated firmly on the base of the cabinet.

2 Why am I experiencing varying levels of hardness?

The softener will provide soft water immediately; however, until mains water has been displaced from the pipework, storage tanks and hot water system, you will experience varying degrees of hardness.

Depending on your water system and water usage, this may take a few weeks to clear.

It is also advisable to check that the by-pass valve is closed, when not using the Kinetico blending by-pass valve.

3 Should water be present in the salt compartment?

Yes, it is normal to see water at a level of 50mm above the salt grid (see page 15). If water is not present to this level:

- a: Fill the salt bay with water until the level is 50mm above the salt grid. Then conduct a manual regeneration.
- b: To manually regenerate using a Phillips head screwdriver push down on the actuator, and slowly turn CLOCKWISE ONLY until the actuator tab has advanced the indicator dot to the word "BRINE".
- c: You will hear a rush of water and air going to the drain.
- d: When the vessel has finished its cycle (approx 11 mins), repeat the procedure, advance the indicator dot to the word "BRINE" in the next section and allow to finish (approx 11 mins).

