

# AQUA Range

## Drinking Water Filters



## Drinking Water Filter Installation Manual

# Contents

---

|  |           |
|--|-----------|
| <b>Safety Information</b>                                  | <b>3</b>  |
| <b>Necessary Tools</b>                                     | <b>4</b>  |
| <b>Getting to know your Kinetico Drinking Water Filter</b> | <b>5</b>  |
| <b>Installation Instructions</b>                           | <b>6</b>  |
| <b>Specifications</b>                                      | <b>10</b> |

For more information:

visit [www.kinetico.co.uk](http://www.kinetico.co.uk)

**Kinetico UK Ltd,**

Bridge House, Park Gate Business Centre, Hants, SO31 1FQ

# Safety Information

---

**Read these instructions carefully before installing and using your Kinetico drinking water filter.**

## **Caution:**

- Do not use the Kinetico Drinking Water Filter with water that is microbiologically unsafe or of unknown quality.
- The Kinetico Drinking Water Filter must be properly located and installed in accordance with these Installation Instructions.
- Use the Kinetico Drinking Water Filter on a safe-to-drink, COLD water supply only.
- Do not install on a HOT WATER supply.
- Do not install the Kinetico Drinking Water Filter outside or anywhere it is likely to freeze, water freezing in the system may cause damage. The temperature of the water supply to the Kube must be above 2°C.
- The Kinetico Drinking Water Filter will withstand up to 6 bar water pressure.
- To order replacement filters visit [kinetico.co.uk](http://kinetico.co.uk)

# Installation preparation

---

To complete installation you should have a basic knowledge of plumbing fittings.

## Necessary tools

---

Teflon tape



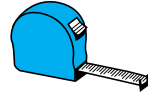
Utility knife



12mm drill bit



Tape measure



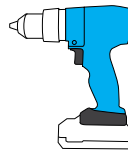
Pliers



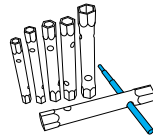
Cross headed screw driver



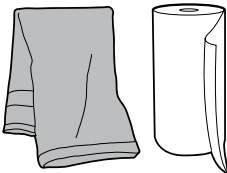
Drill



Box Spanner



Dry towel/  
paper towels



## Customer support

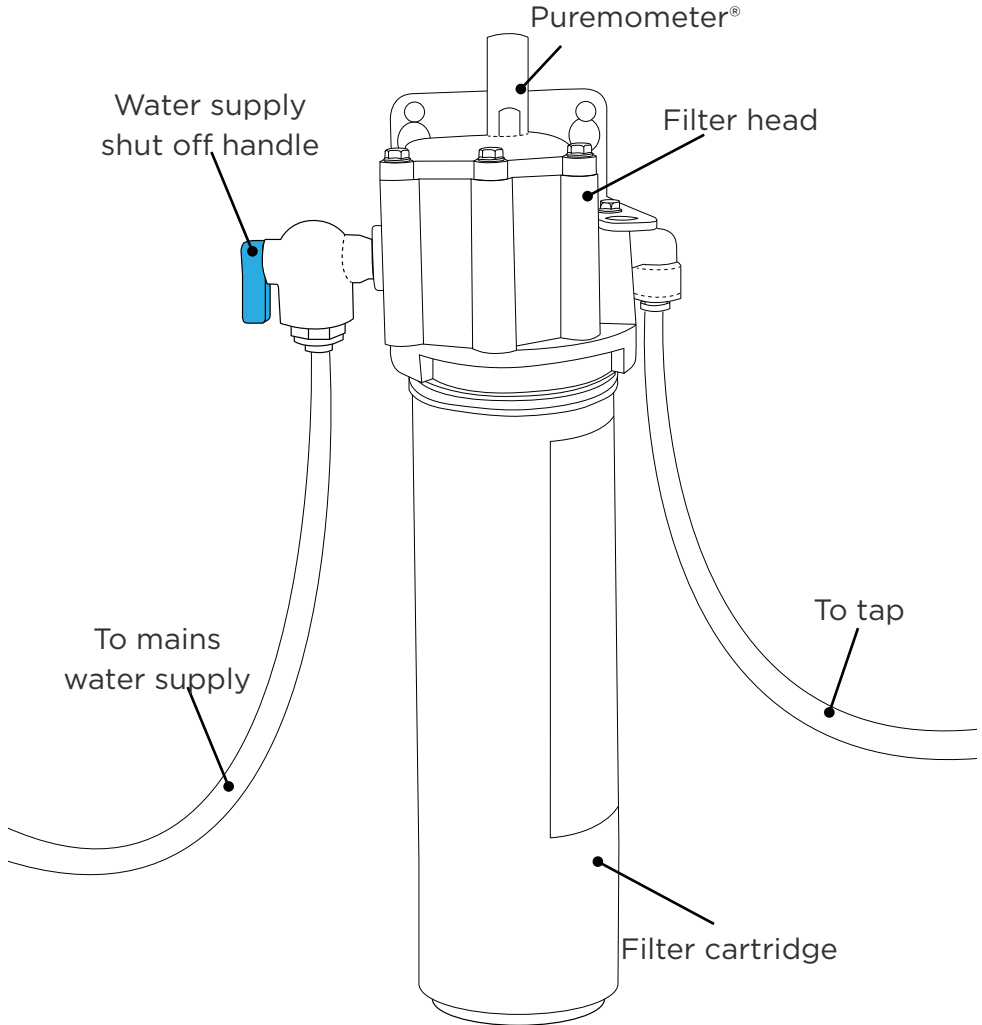
---

The Kinetico customer services team is always on hand to assist and help you with any questions or support you require.

For all enquiries, please send an e-mail to [info@kinetico.co.uk](mailto:info@kinetico.co.uk) or contact us on: 0800 056 8686.

# Getting to know your Kinetico Drinking Water Filter

---



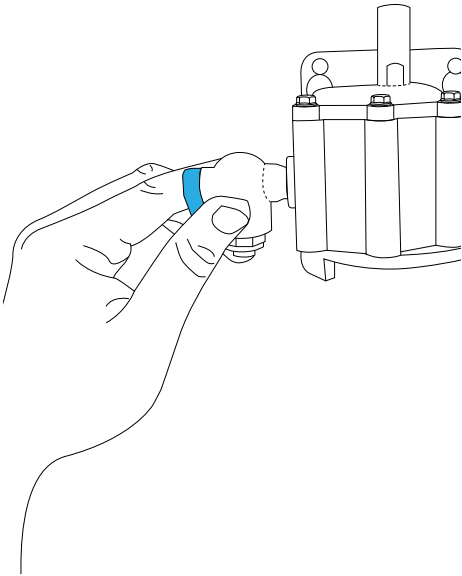
**PLEASE NOTE:**

The Puremometer® is not a feature of the AquaScale Drinking Water Filter

# Installation instructions

## 1 Install inlet:

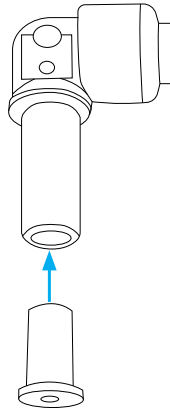
Firmly push the male end of the shut off valve into the left hand side of the filter head.



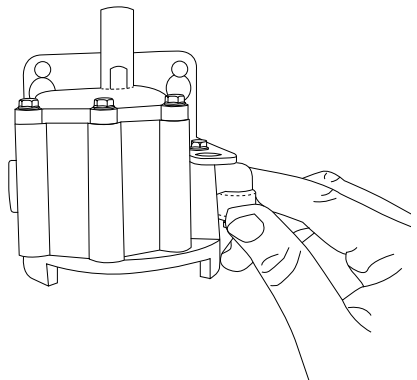
## 2 Install outlet:

**a:** AquaGuard only:

Insert grey restrictor into the outlet elbow

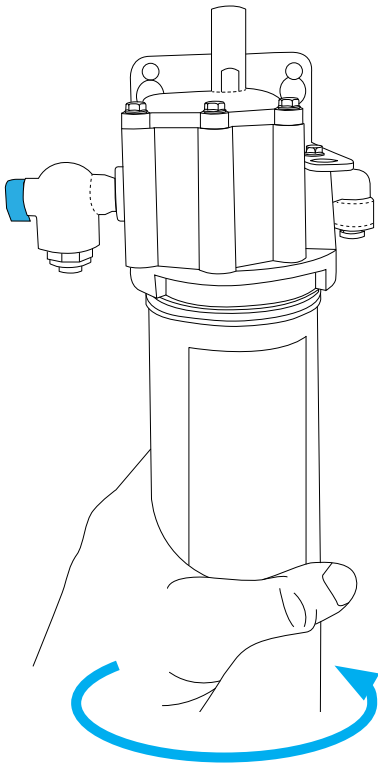


**b:** Firmly push the male end of the elbow into the right hand side of the filter head.



### 3 Install cartridge:

Remove the small plastic cap from the top of the filter cartridge. Install the cartridge into the filter head/bracket assembly by firmly inserting it and rotating it until the arrows on the cartridge top and filter head/bracket assembly are aligned.



### 4 Determine location:

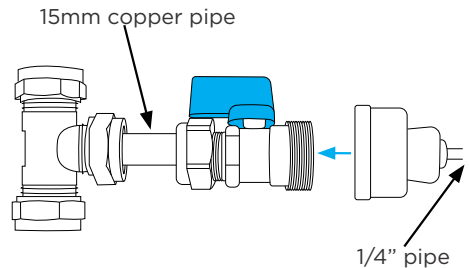
Determine the desired location for the filter system. It should be easily accessible for cartridge replacement.

Be sure to leave adequate clearance under the filter to facilitate cartridge changes and allow for easy viewing of the PureMometer filter life indicator.

Using the bracket mounting screws, mount the filter system in the location you have chosen.

### 5 Install hookup:

Locate the cold water line you will tap into to supply water to the filter system. **DO NOT USE THE HOT WATER LINE.** Turn off the water to the cold water feed line. Plumb in a hookup with the ability to connect to 1/4" tubing. A tee fitting is provided to accommodate most installations.



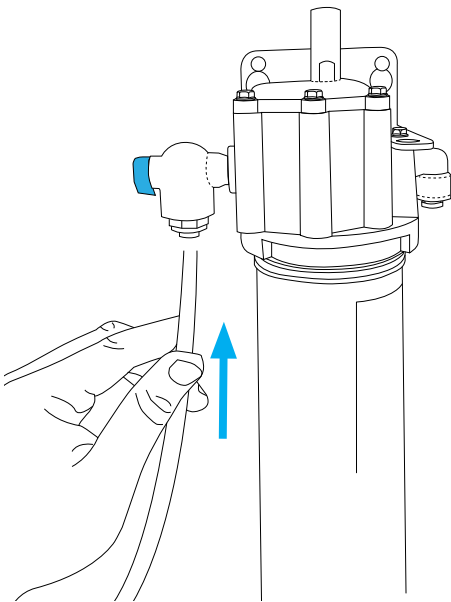
## 6 Insert inlet tubing:

Insert one end of the 1/4" tubing provided into the 3/4" Female BSP x 1/4" Push Fit Adaptor provided for the cold water supply.

Insert the other end into the Inlet Shutoff Valve fitted on the left side of the filter head.

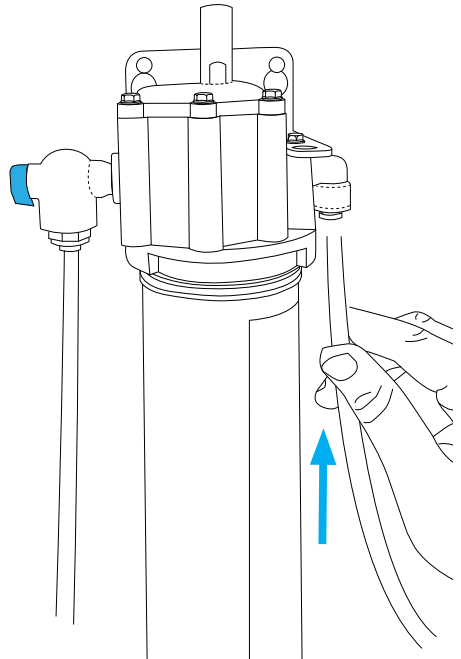
**NOTE:**

You may need to trim the length of the tubing to accommodate your installation.



## 7 Insert outlet tubing:

Install a length of 1/4" tubing from the outlet elbow on the right side of the filter head/bracket assembly to the tap.



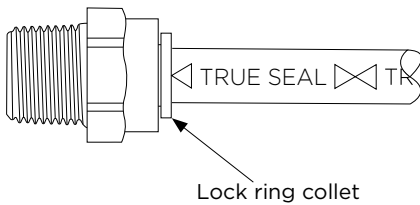


## Tip for easy installation:

A bow-tie pattern is printed on the tubing to indicate when the tubing is fully inserted. Prepare tubing by cutting through center of bow-tie nearest the end of the tubing. When tubing is properly inserted, only half of the next bow-tie will appear. To remove, depress the lock ring collet and pull tubing out.

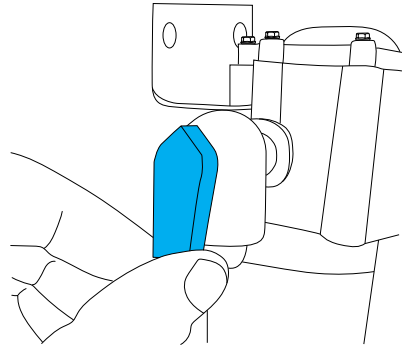
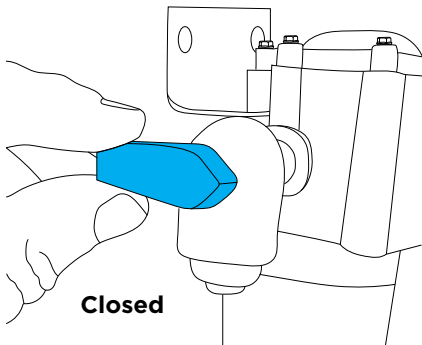
### EXAMPLE

(this fitting isn't supplied in the box)



## 8 Turn on water:

Turn on the water to the cold water feed line. Open the shutoff valve on the system.



## 9 Run water:

Turn your tap on and run water through the drinking water filter for five minutes. This will purge the air and remove any small carbon fines from the new filter cartridge.

## 10 Check for leaks:

Turn off the tap and check for leaks.

# Specifications

---

## AquaGuard

|                               |                            |
|-------------------------------|----------------------------|
| <b>Dimensions (w x h x d)</b> | 127 x 127 x 381 mm         |
| <b>Weight</b>                 | 2.1 kg                     |
| <b>Pressure Range</b>         | 1.3 - 8.3 bar              |
| <b>Flow Rate</b>              | 2.84 l/m                   |
| <b>Filter Production</b>      | 1892 litres (average life) |

## AquaTaste

|                               |                            |
|-------------------------------|----------------------------|
| <b>Dimensions (w x h x d)</b> | 127 x 127 x 381 mm         |
| <b>Weight</b>                 | 2.1 kg                     |
| <b>Pressure Range</b>         | 1.4 - 8.3 bar              |
| <b>Flow Rate</b>              | 3.75 l/m                   |
| <b>Filter Production</b>      | 1892 litres (average life) |

## AquaScale

|                                  |                           |
|----------------------------------|---------------------------|
| <b>Dimensions (w x h x d)</b>    | 127 x 127 x 381 mm        |
| <b>Weight</b>                    | 2.1 kg                    |
| <b>Pressure Range</b>            | 1.4 - 8.3 bar             |
| <b>Flow Rate</b>                 | 2.8 l/m                   |
| <b>Taste &amp; Odour Removal</b> | Granular Activated Carbon |